

# Bench for 2

## Materials:

- Birch
- Used wood material

## Hardware:

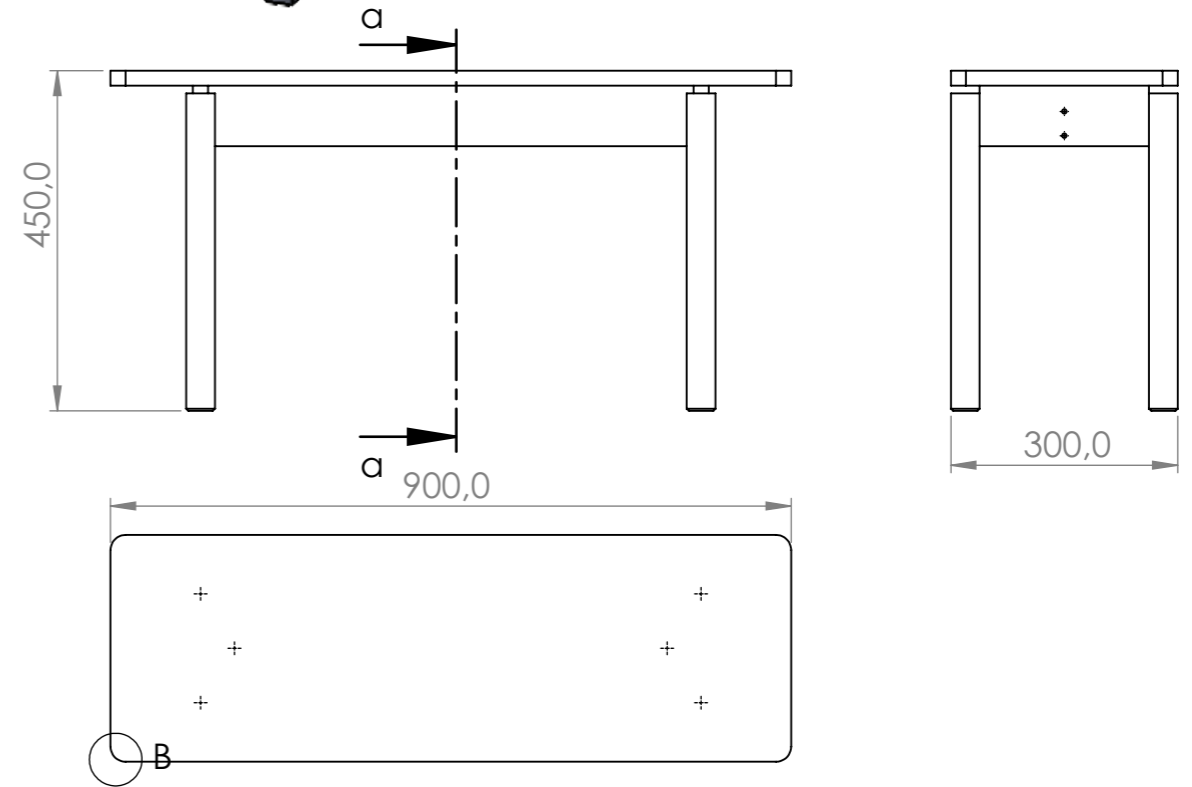
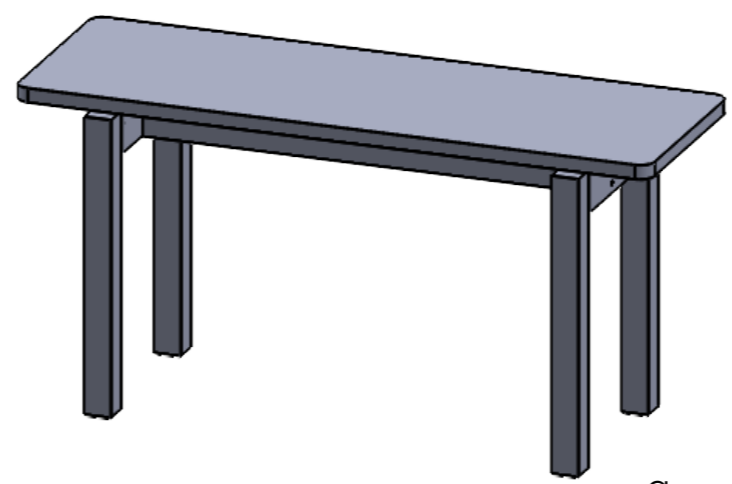
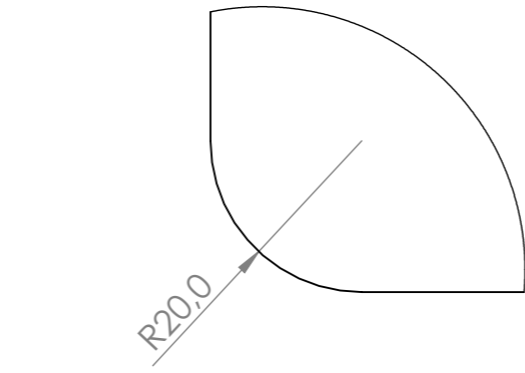
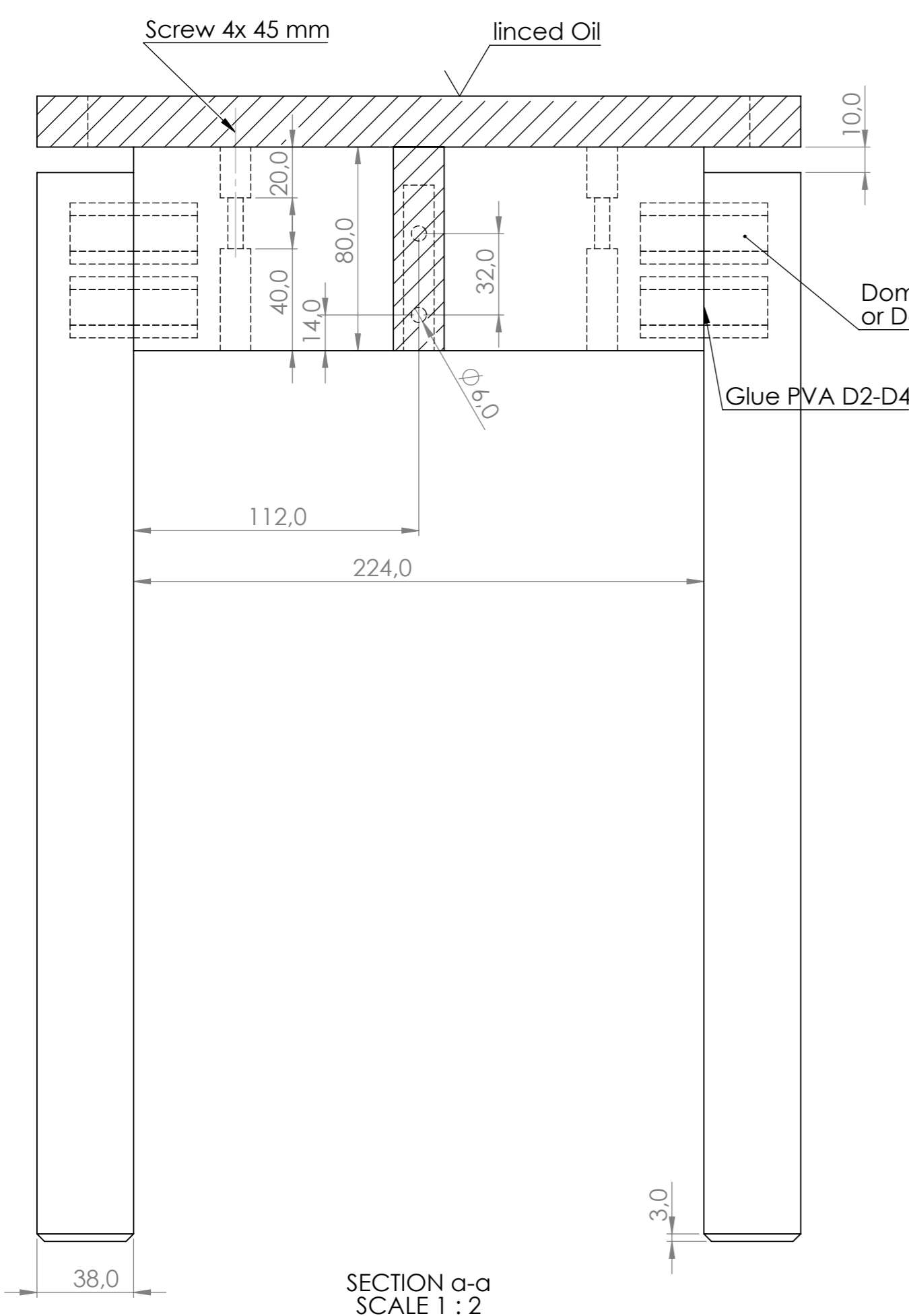
- Cross barrel dovel dobbel  $\varnothing 10 \times 60$ , M6 x 2
- Connectot bolts flat head 60 mm M6 x 4
- festool domino 10 mm or dovel or another x 8
- Screw 4 x 45 mm x 4

## Glue

- D2-D4 PVA

## Surface

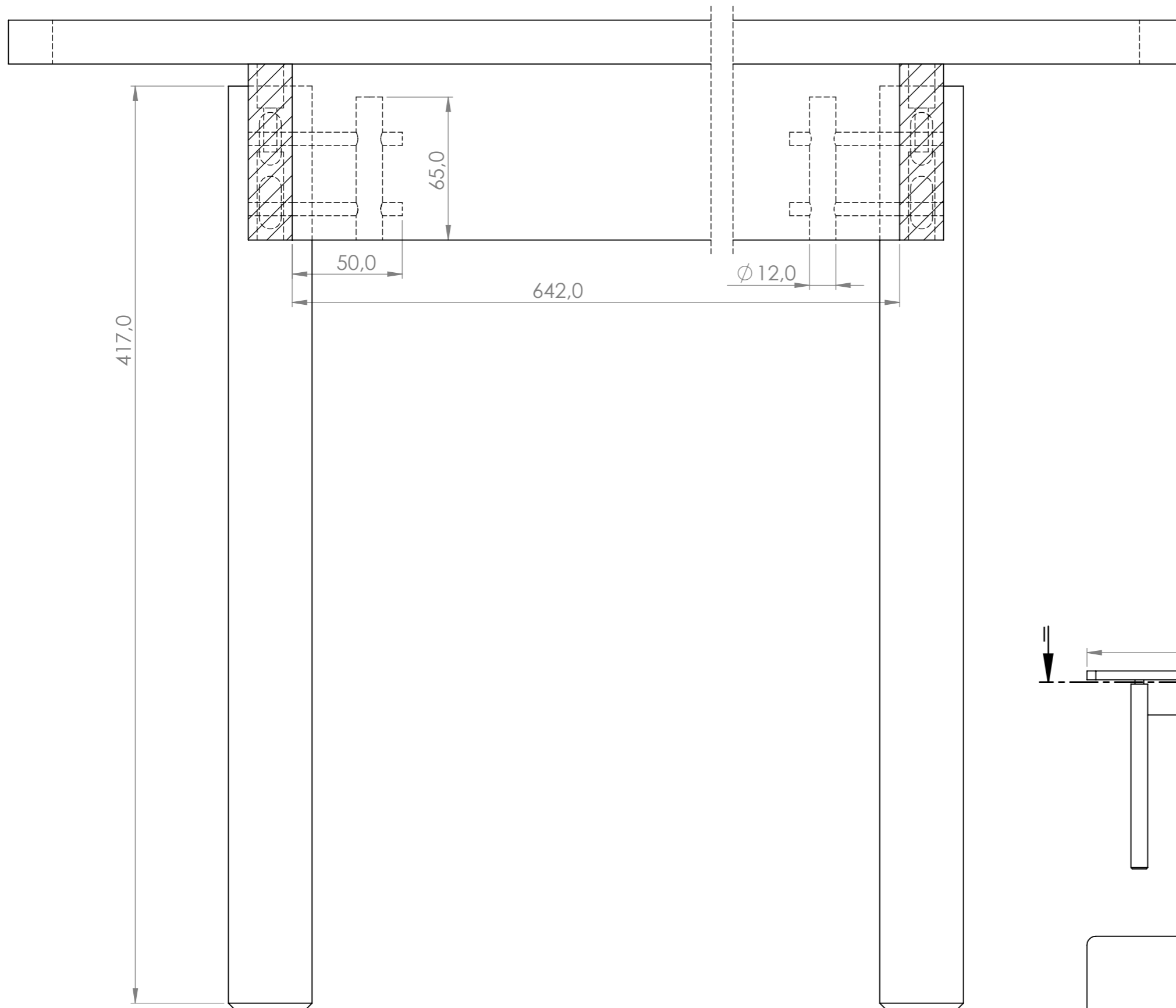
- Lincod oil
- Soap
- Laquer
- Paint



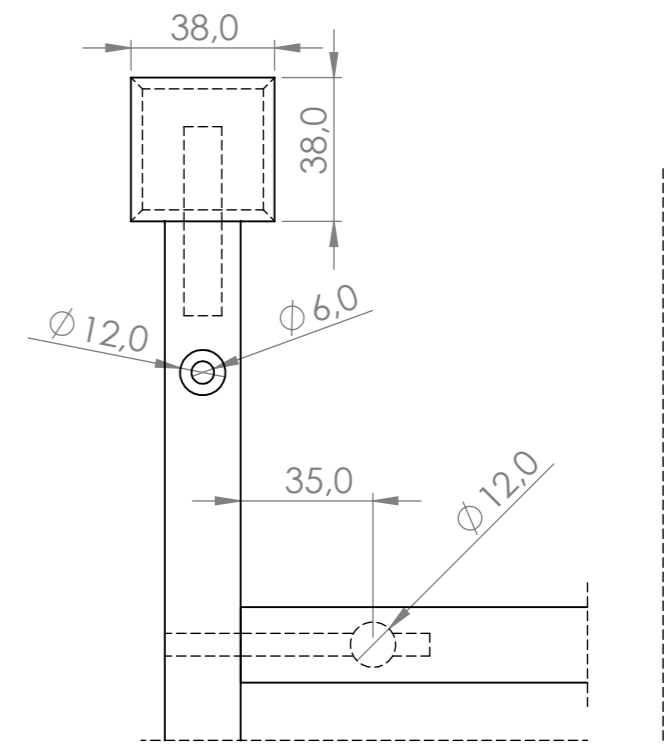
SECTION a-a  
SCALE 1 : 2

DETAIL B  
SCALE 1 : 1

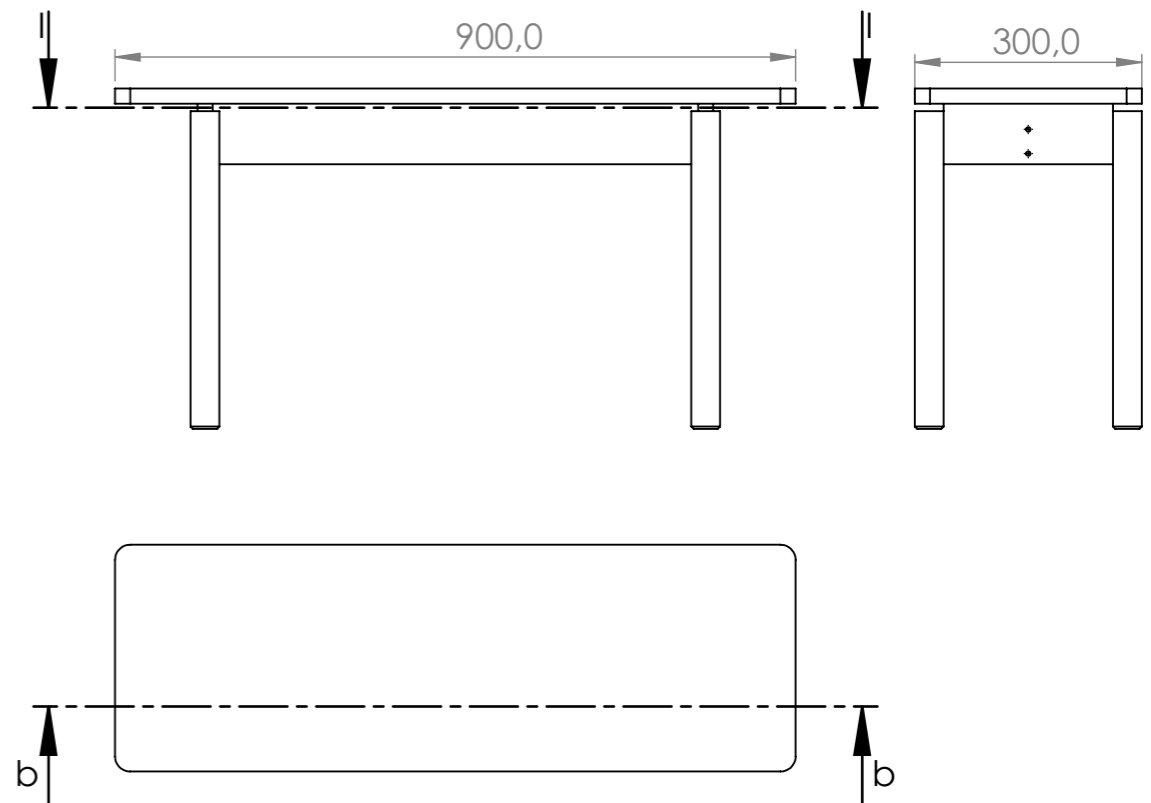
Tampere bench	ver. 1
	1 of 2
17-10-2023	



SECTION b-b  
SCALE 1 : 2



SECTION I-I  
SCALE 1 : 2



Tampere bench	ver. 1
	2 of 2
	17-10-2023